

# Reece Safety Products Ltd

Premier House, Manchester Road, Mossley, Lancs OL5 9AA

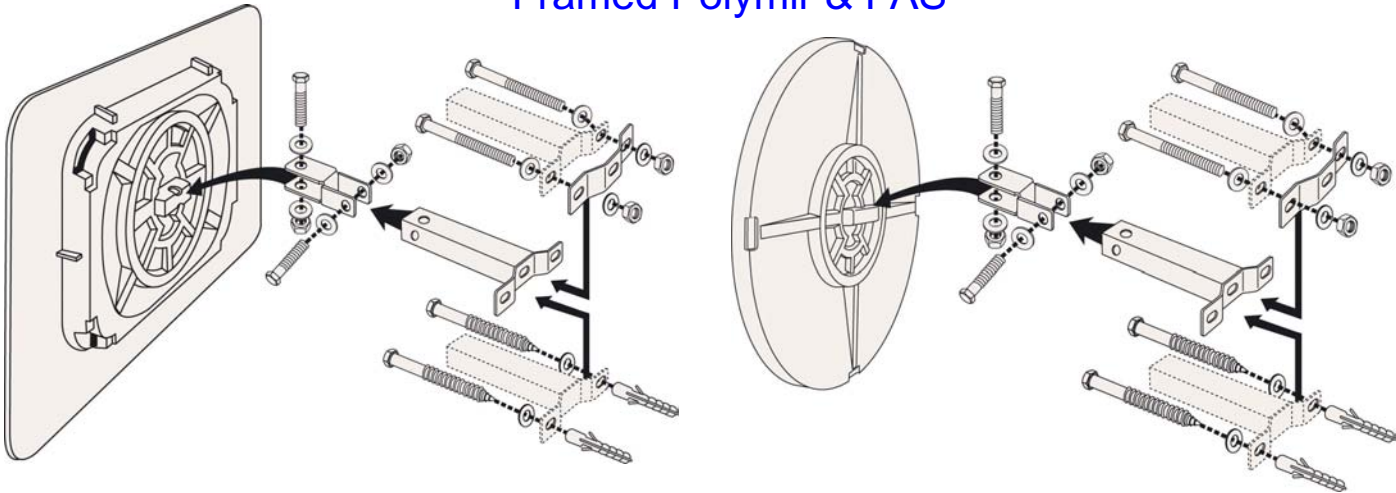
Tel: 01457 831133 Fax: 01457 831144

[www.safety-mirrors.co.uk](http://www.safety-mirrors.co.uk)

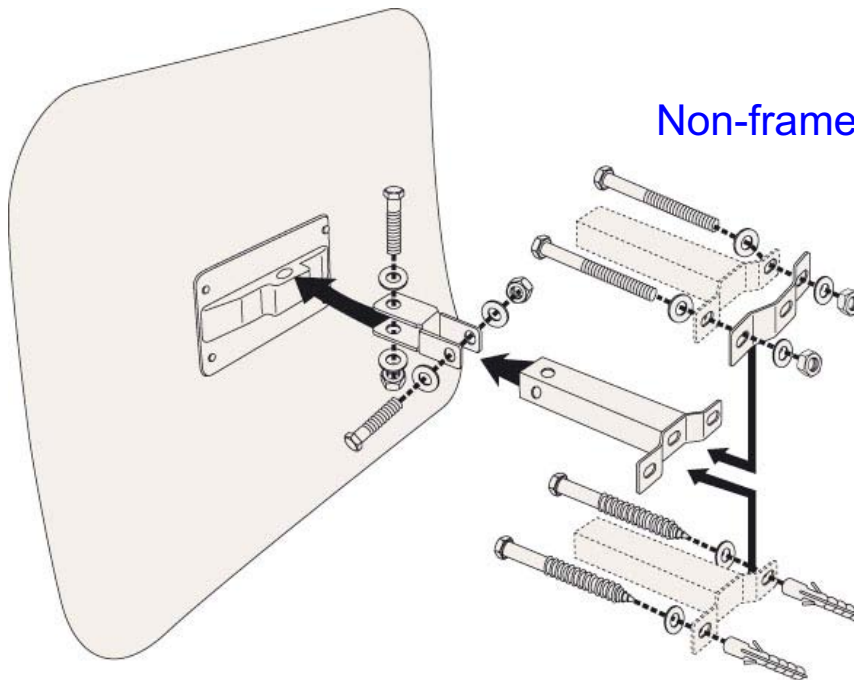


## Mirror fixing information Polymir & PAS

### Framed Polymir & PAS



### Non-framed PAS



### CARE & CLEANING OF MIRRORS

**DUSTING** Dust with a soft, damp cloth or chamois, wiping gently.

**WASHING** Wash with a mild soap or detergent and lukewarm water solution. Use a clean soft cloth or sponge and as much solution as possible. Rinse well. Dry by blotting with a damp cloth or chamois. **DO NOT USE:** window cleaning fluids, scouring compounds, gritty cloths, leaded or ethyl gasolines or strong solvents such as alcohol, acetone, carbon tetrachloride, etc. To remove tar, grease, paint etc., use a good grade of naphtha or kerosene.

Although your mirror can withstand severe shock without breaking, its surface lustre may be marked by careless handling. You will find it pays to take the simple precautions above to preserve your mirror.

**ALWAYS HANDLE YOUR MIRROR WITH CARE**

© Reece Safety Products Ltd 2006